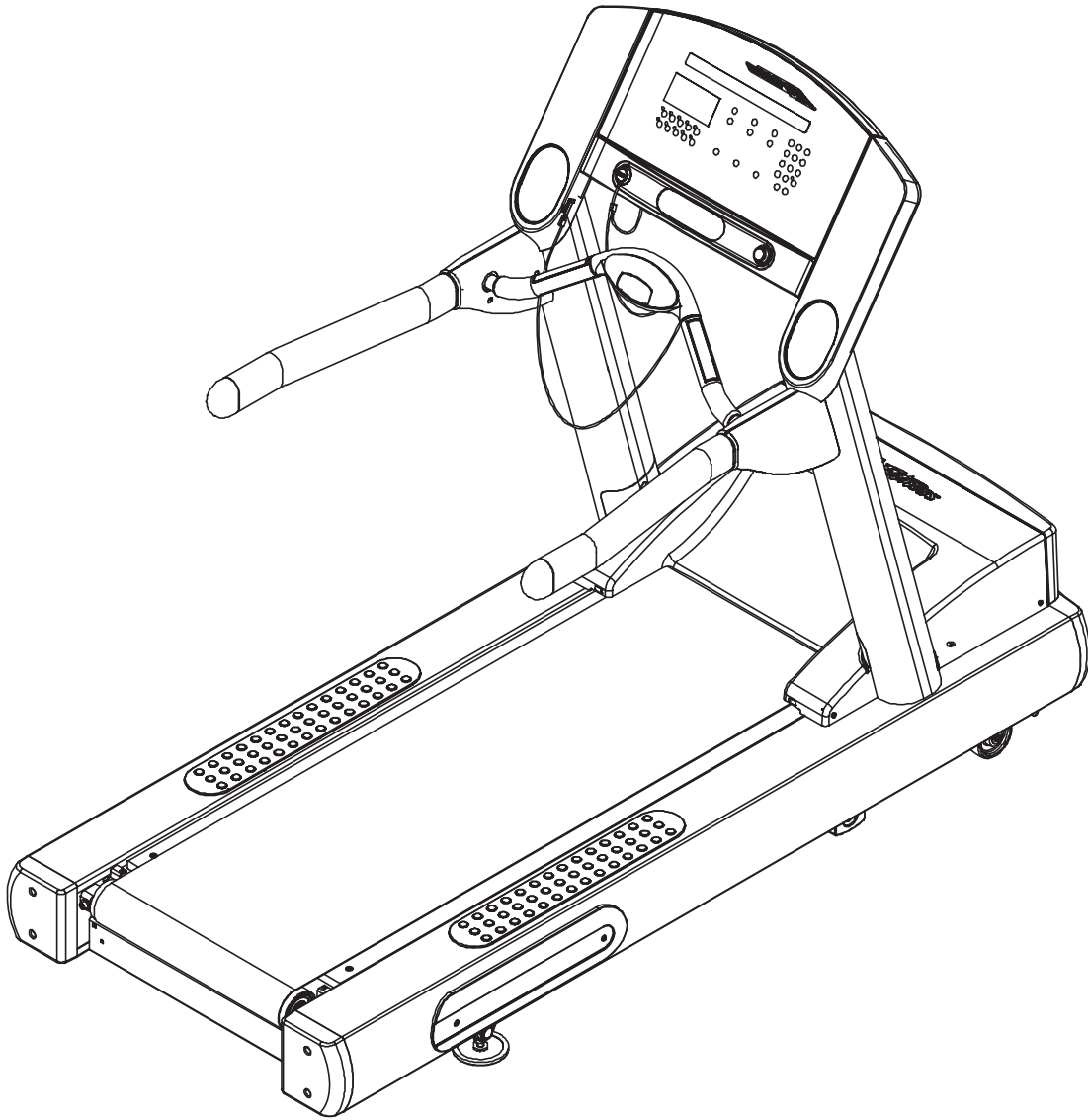


LifeFitness

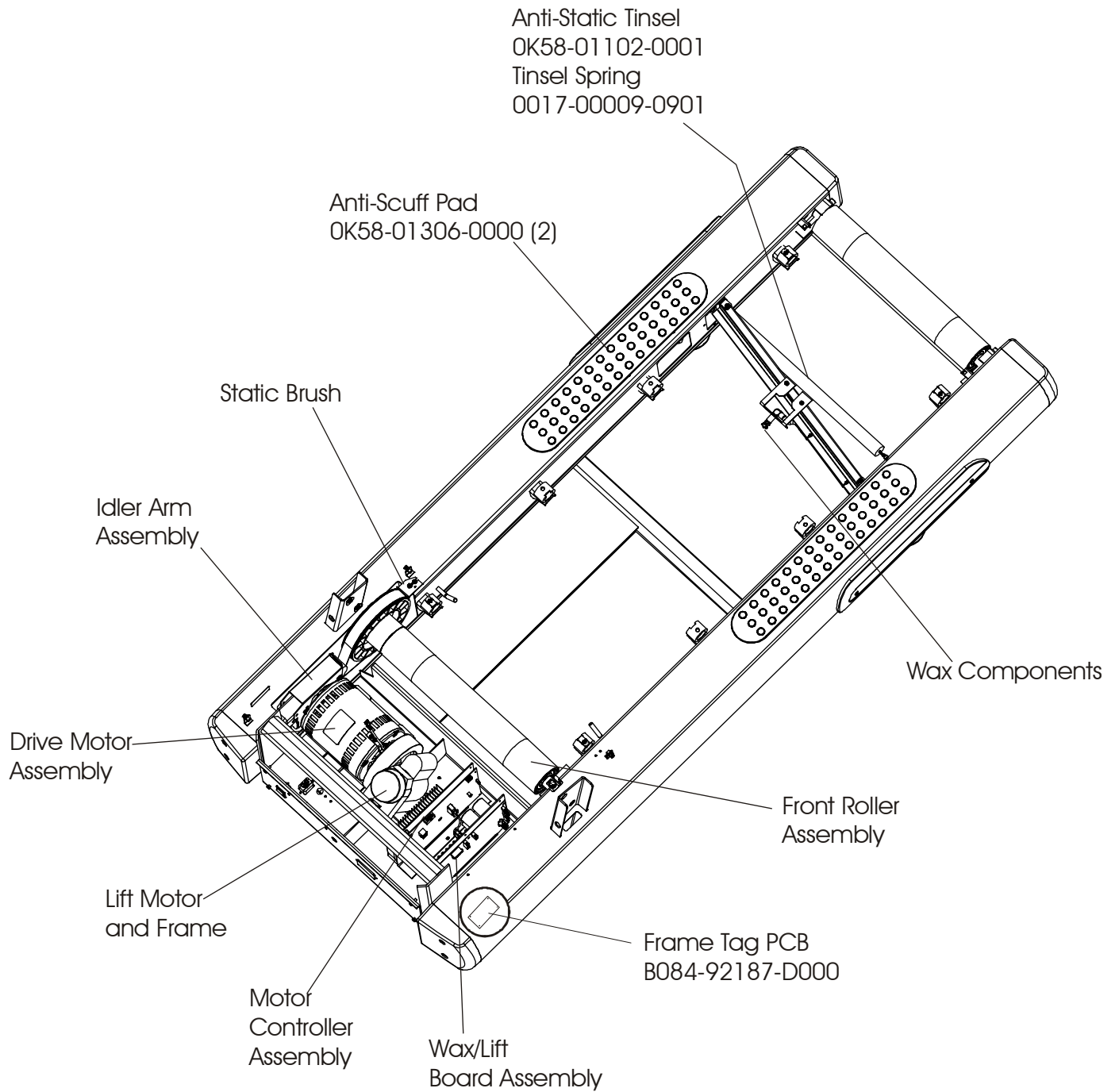
Treadmill 95TE

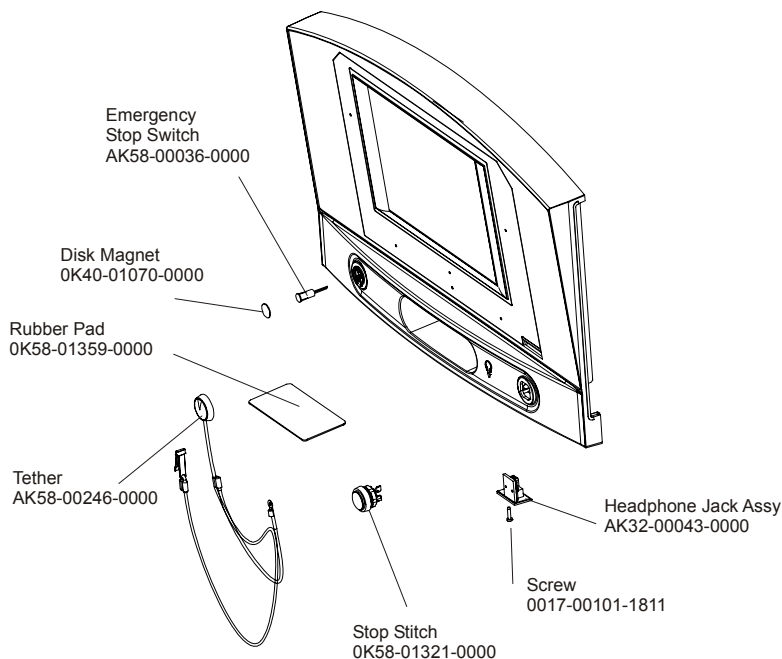


Customer Support Services
PARTS MANUAL rev 11 Jan 2008

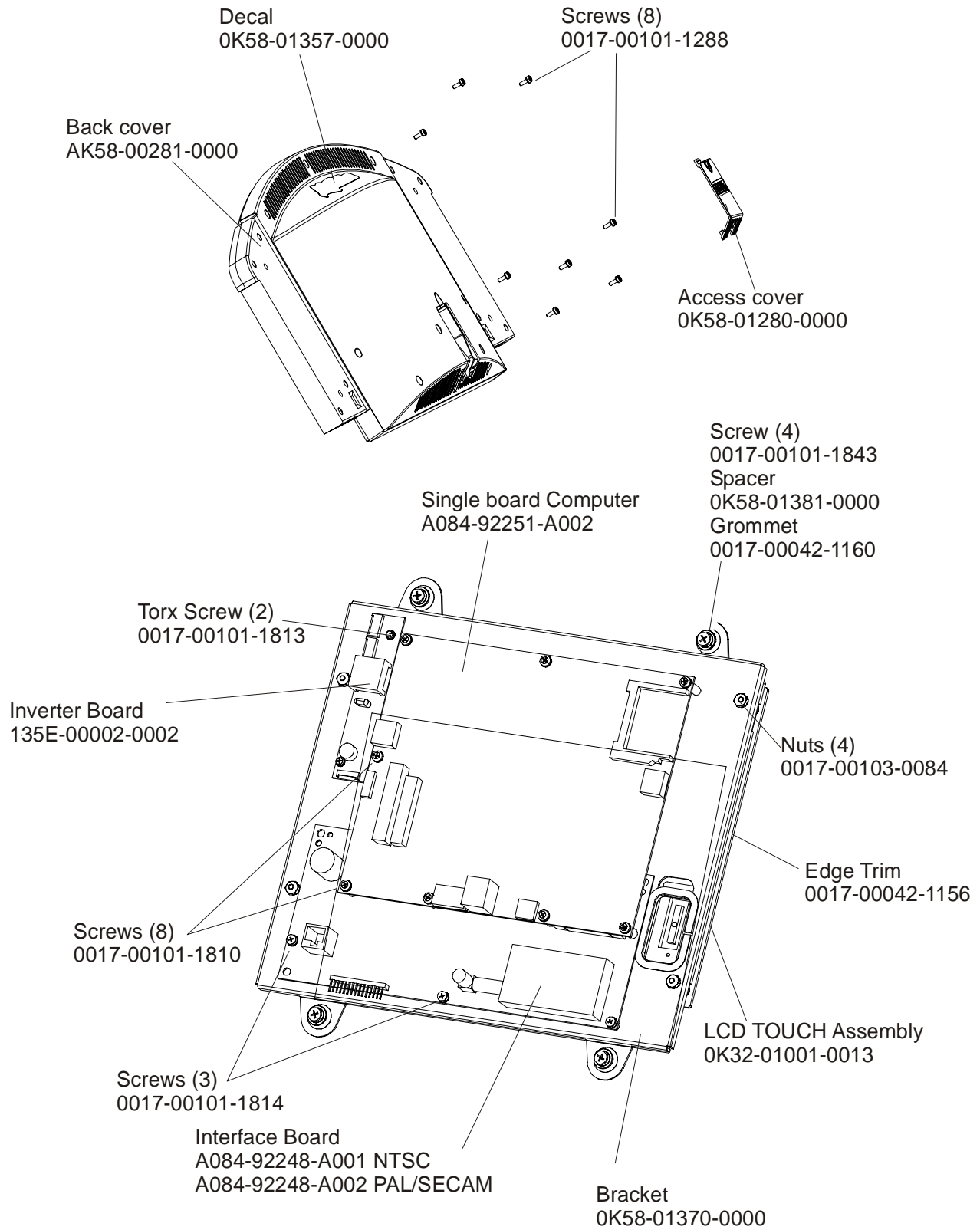
Miscellaneous	3
Frame Assembly	4
Console Assembly	5
Console Components.....	6
Handrail Assembly.....	7
Covers, End Caps, and Hardware	8
Belt, Deck, and Rear Roller.....	9
Wax/lift Assembly.....	10
Motor Controller Assembly.....	11
Lift Motor and Frame	12
Drive Motor Assembly.....	13
Wax Components	14
Idler Arm and Static Brush.....	15
Leveler Assembly	16
Front Roller Assembly	17
Ergo Bar with Lifepulse.....	18
Power Components	19
Cable	20

Miscellaneous Parts			
Description			Part No.
Operation Manual, Eng			M051-00K58-A111
Service Manual			M051-00K58-B097
Touchup Paint	Color: Silver Bullet	Bottle	0017-00008-0196
		Spray Can	0017-00008-0197
	Color: Stealth Gray	Bottle	0017-00008-0198
		Spray Can	0017-00008-0199

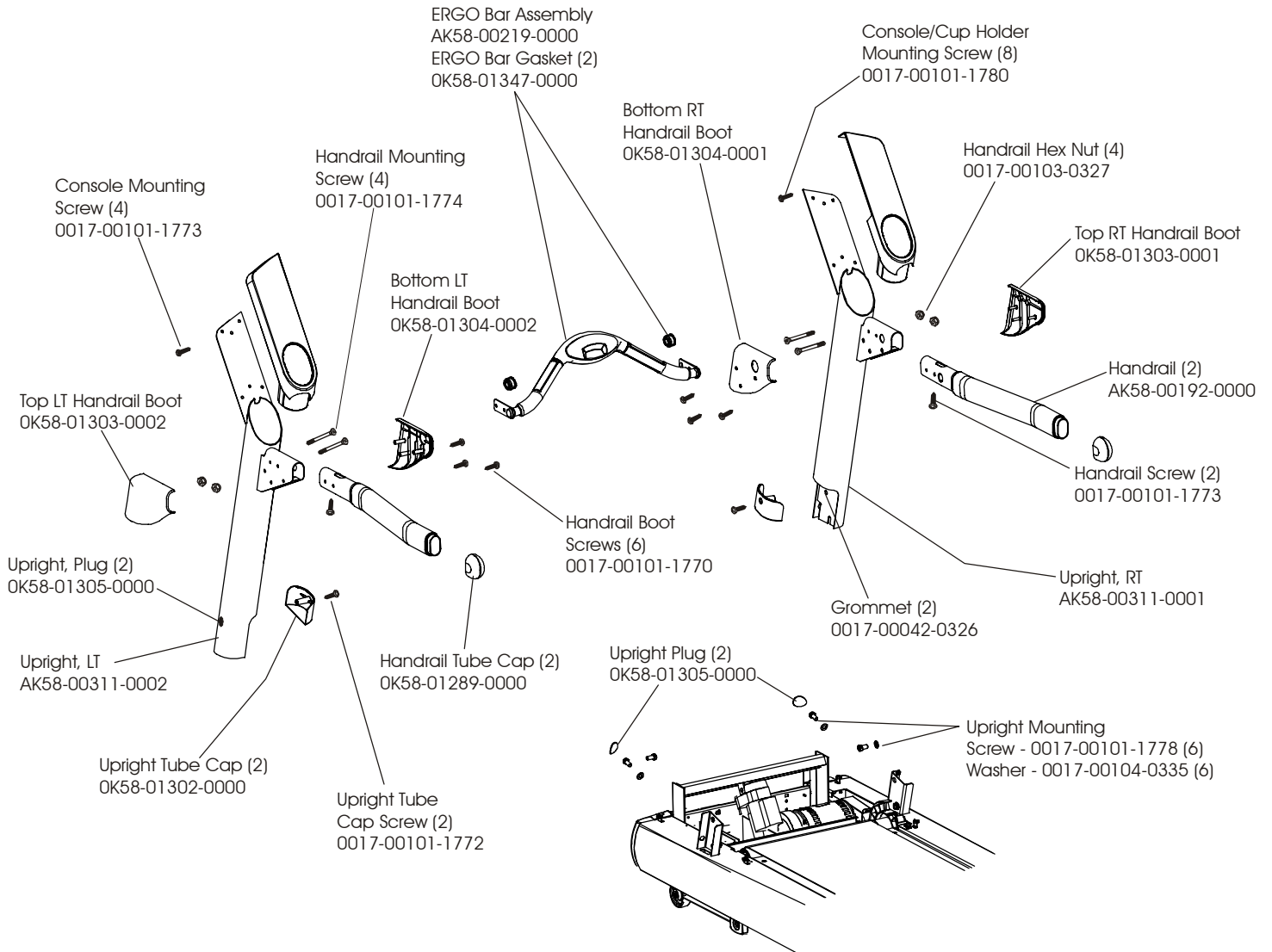


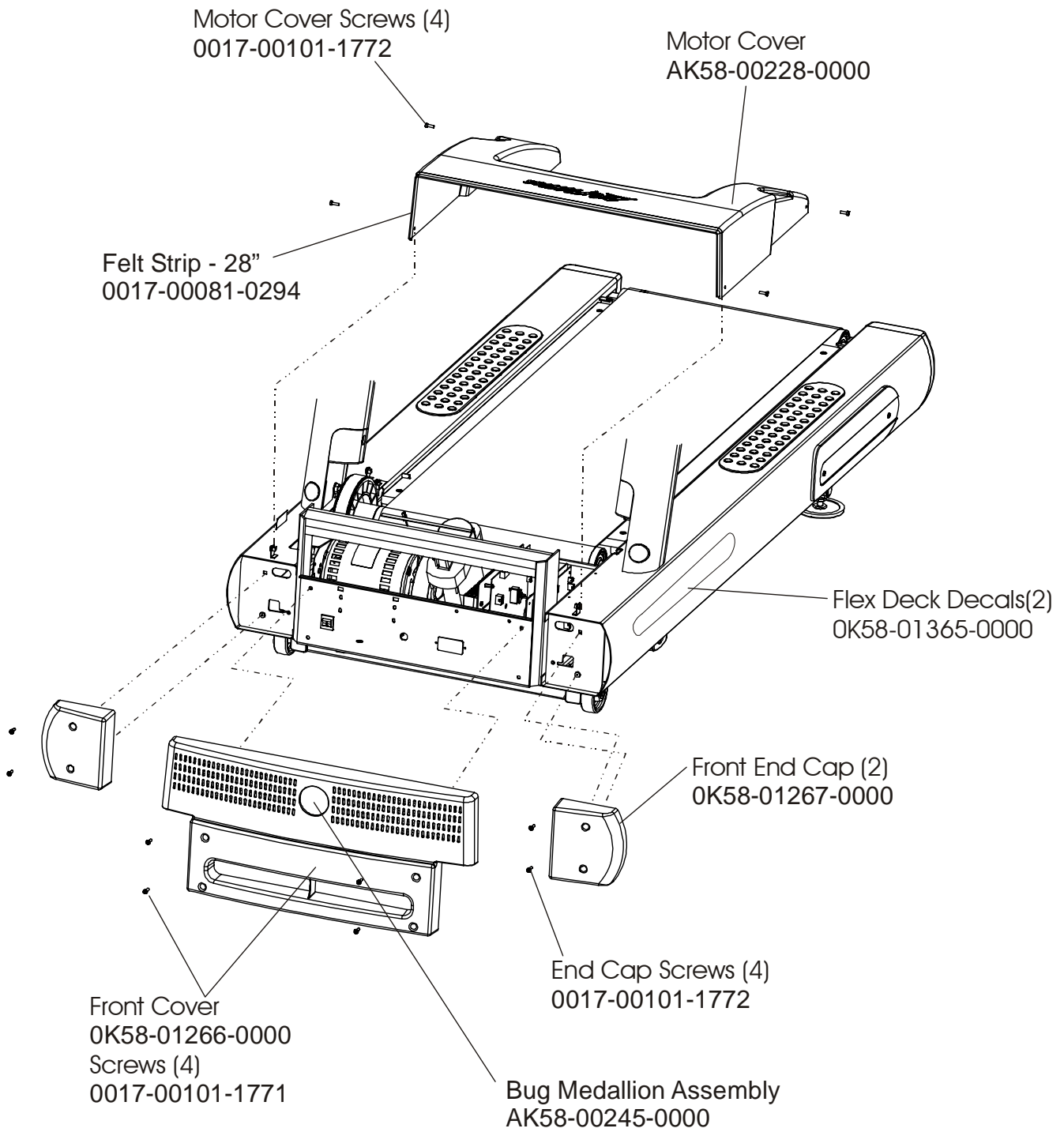


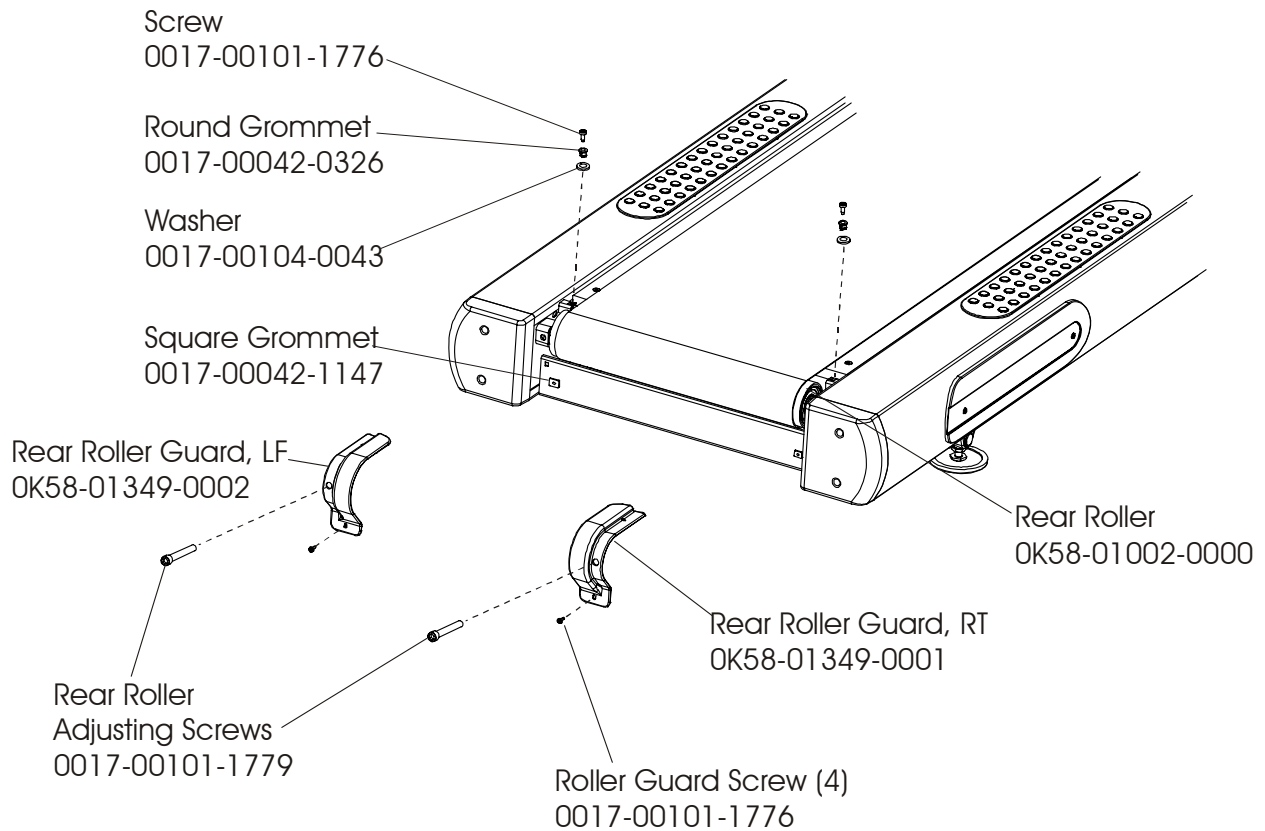
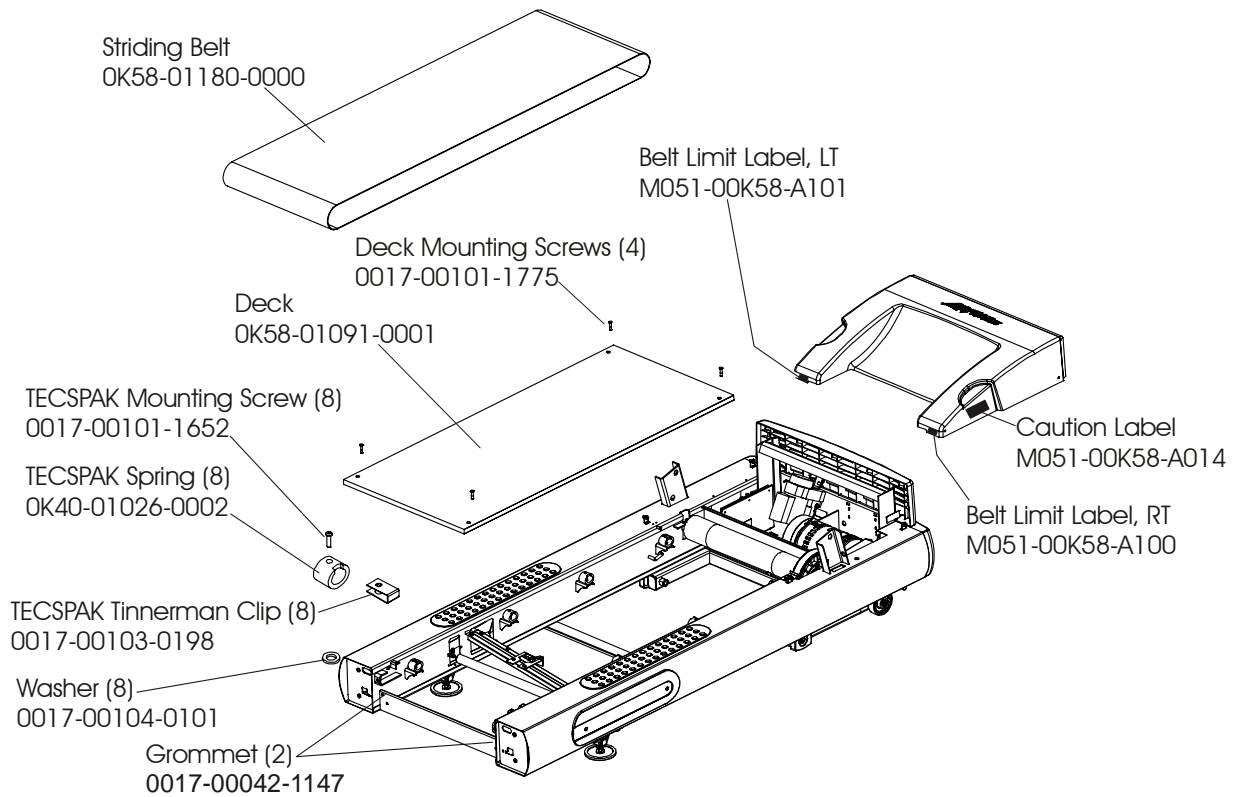
	Description	Part number
Console Assemblies	SERV KIT LCD CONS NTSC ENG	GK58-00002-0077
	SERV KIT LCD CONS NTSC SPN	GK58-00002-0078
	SERV KIT LCD CONS NTSC JAP	GK58-00002-0079
	SERV KIT LCD CONS NTSC FRN	GK58-00002-0080
	SERV KIT LCD CONS NTSC POR	GK58-00002-0081
	SERV KIT LCD CONS PAL ENG	GK58-00002-0082
	SERV KIT LCD CONS PAL GER	GK58-00002-0083
	SERV KIT LCD CONS PAL SPN	GK58-00002-0084
	SERV KIT LCD CONS PAL FRN	GK58-00002-0085
	SERV KIT LCD CONS PAL ITL	GK58-00002-0086
	SERV KIT LCD CONS PAL DUT	GK58-00002-0087
	SERV KIT LCD CONS PAL POR	GK58-00002-0088
Overlay Bezel Assemblies	BZL/SW W/OVERLAY ASSY: MFG; ENG/NTSC	AK58-00516-0001
	BZL/SW W/OVERLAY ASSY: MFG; SPN/NTSC	AK58-00516-0004
	BZL/SW W/OVERLAY ASSY: MFG; JAP/NTSC	AK58-00516-0006
	BZL/SW W/OVERLAY ASSY: MFG; FRN/NTSC	AK58-00516-0007
	BZL/SW W/OVERLAY ASSY: MFG; POR/NTSC	AK58-00516-0010
	BZL/SW W/OVERLAY ASSY: MFG; ENG/PAL	AK58-00517-0001
	BZL/SW W/OVERLAY ASSY: MFG; GER/PAL	AK58-00517-0003
	BZL/SW W/OVERLAY ASSY: MFG; SPN/PAL	AK58-00517-0004
	BZL/SW W/OVERLAY ASSY: MFG; FRN/PAL	AK58-00517-0007
	BZL/SW W/OVERLAY ASSY: MFG; ITL/PAL	AK58-00517-0008
	BZL/SW W/OVERLAY ASSY: MFG; DUT/PAL	AK58-00517-0009
	BZL/SW W/OVERLAY ASSY: MFG; POR/PAL	AK58-00517-0010

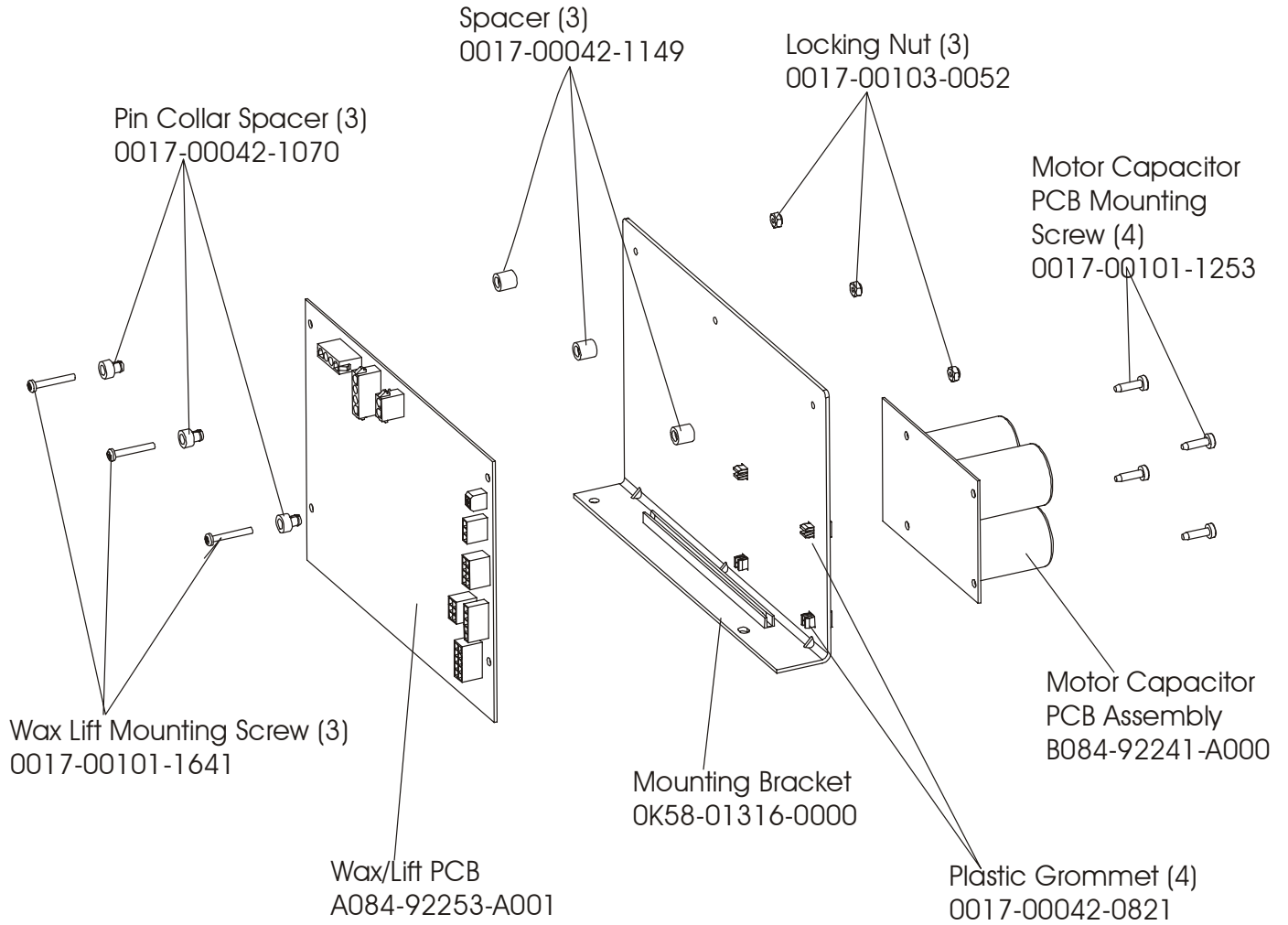


Hardware Bag Assembly
AK58-00226-0000

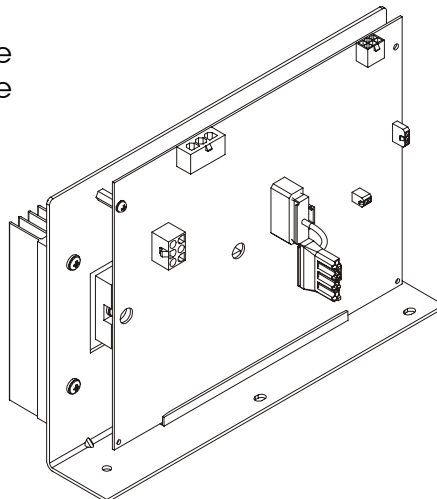




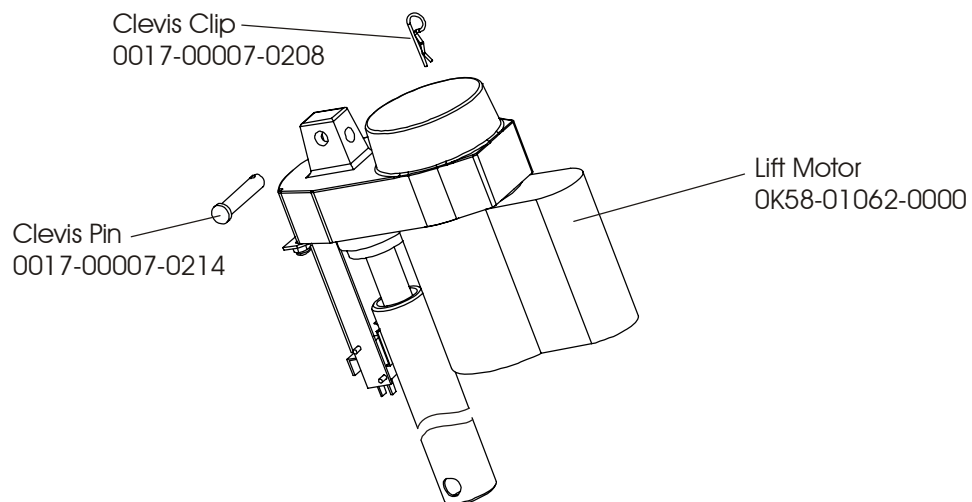
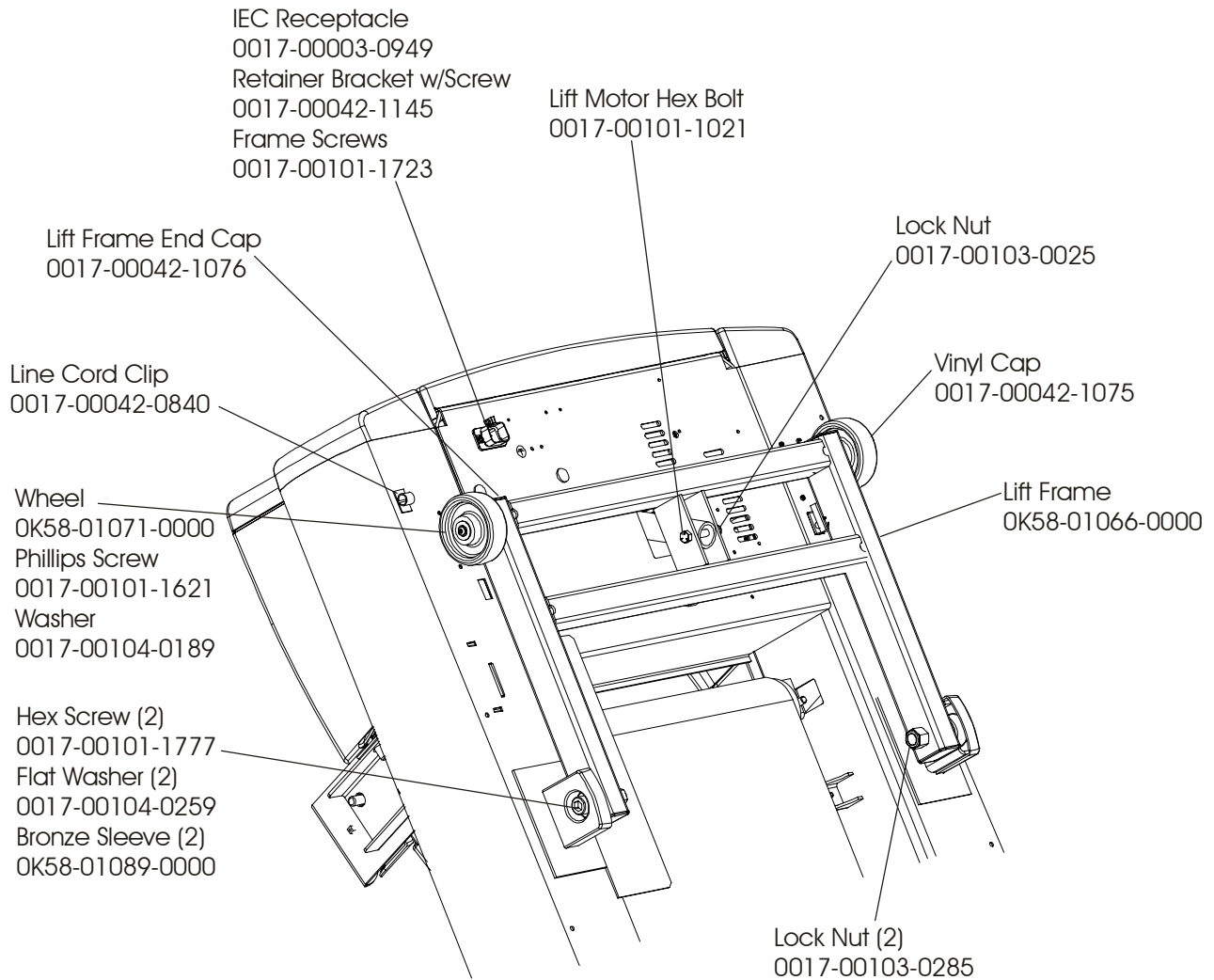


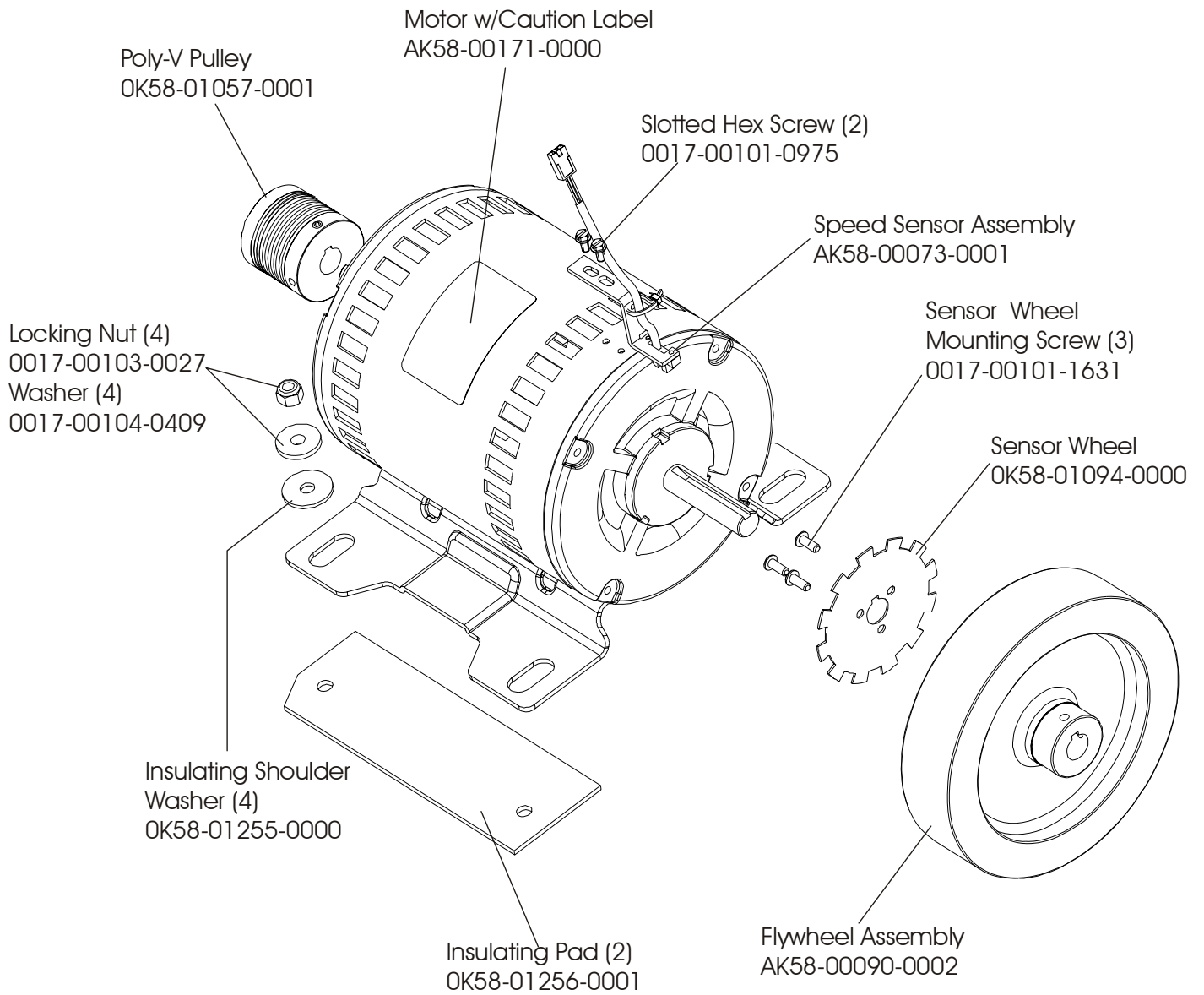


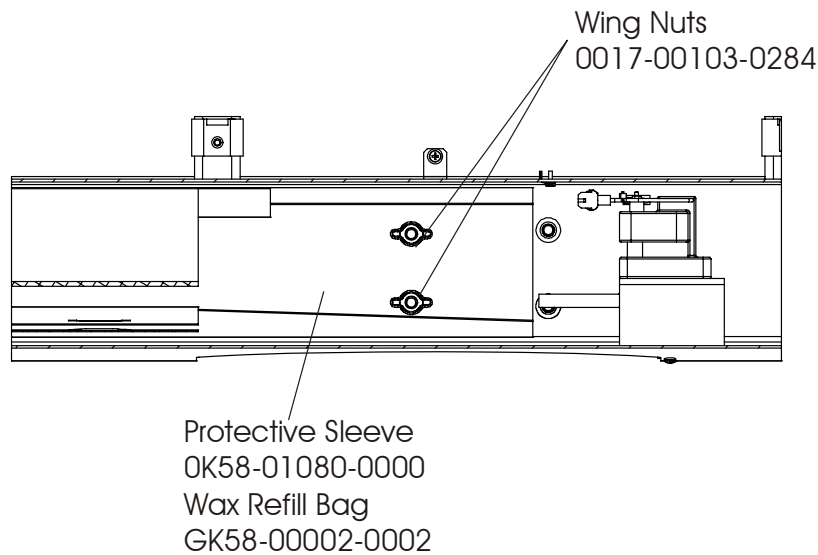
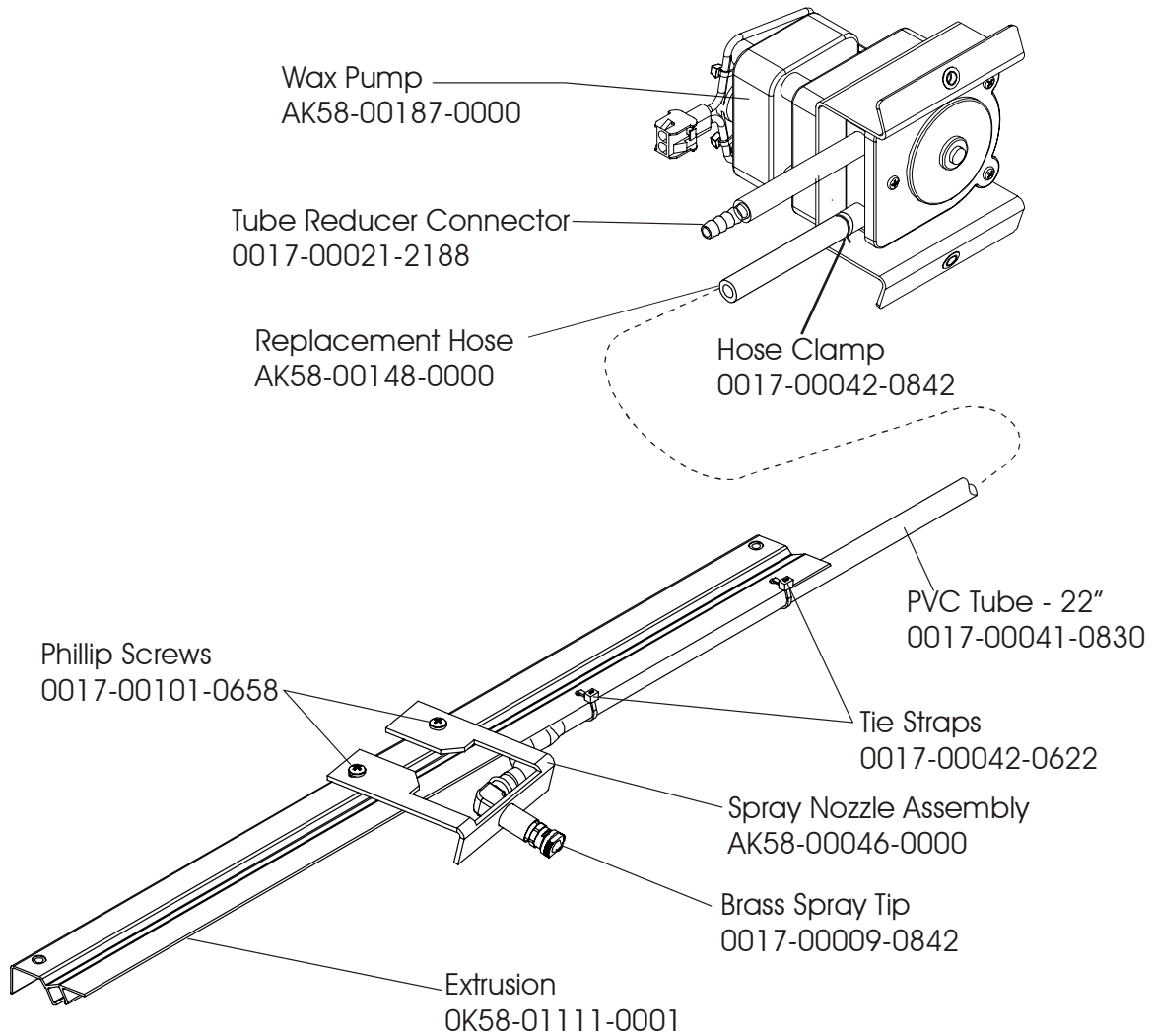
AK60-00171-0002 (100-120V) with Ferrite
 AK60-00171-0003 (200-240V) with Ferrite

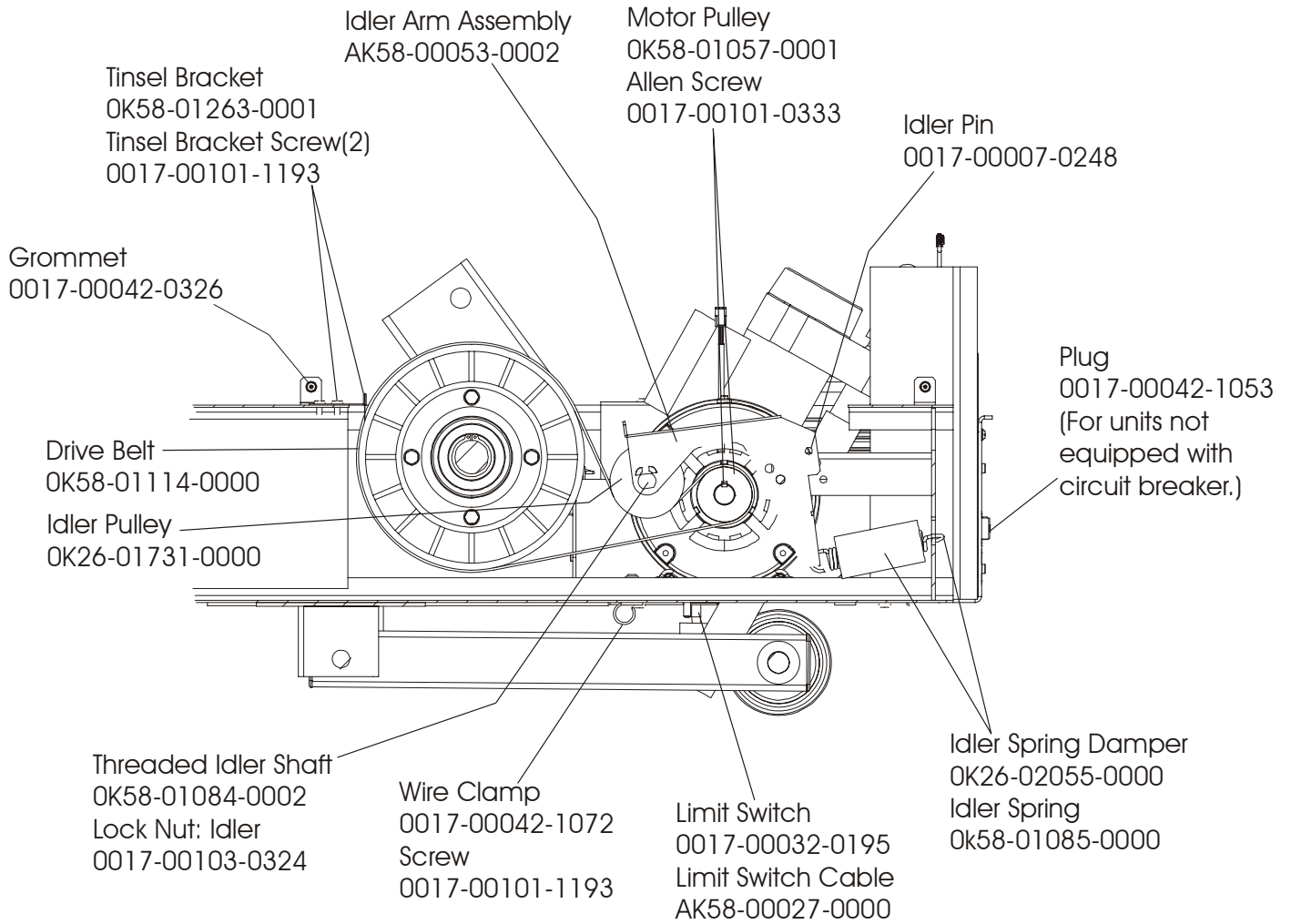


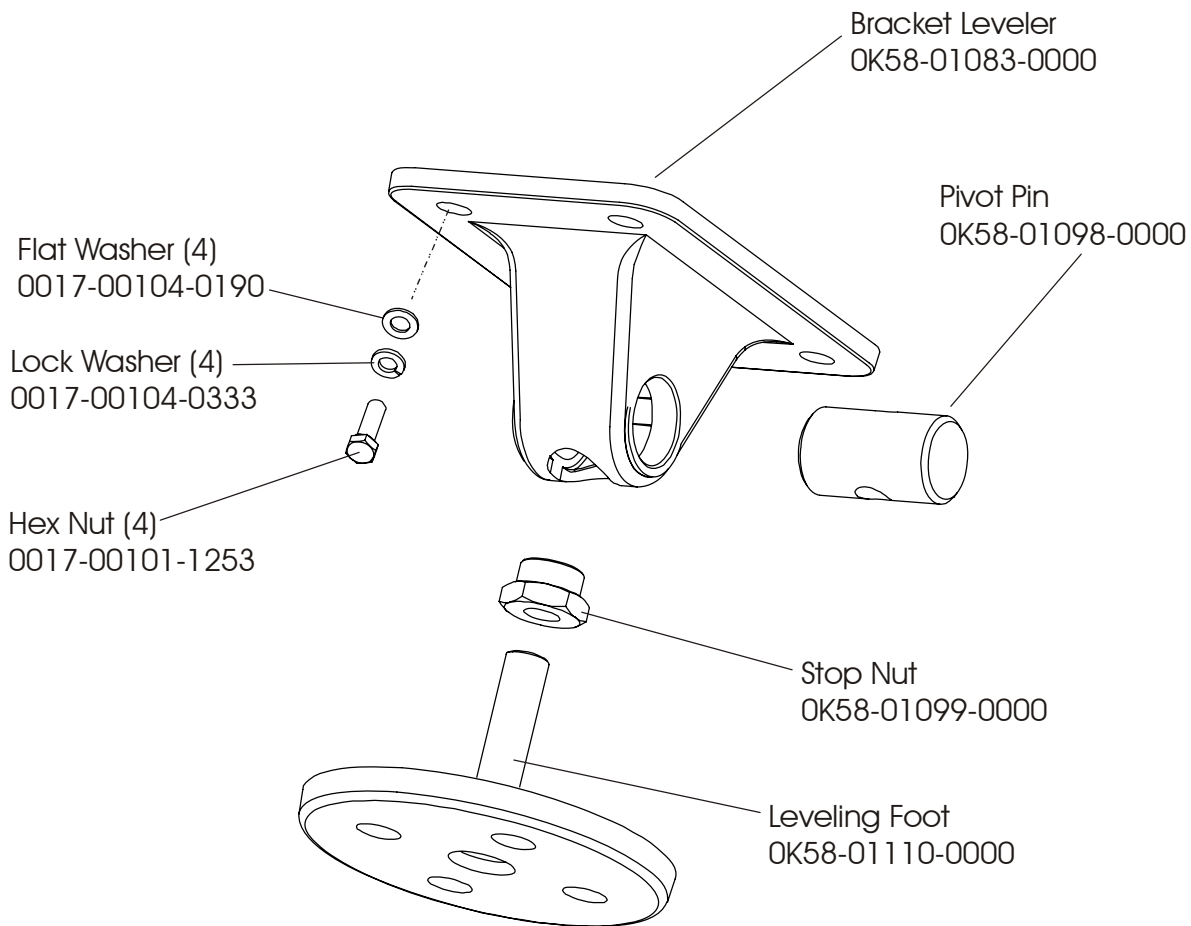
AK58-00372-0002	MTR-CNTRL W/FERRITE ASY: 100-120
<i>Model SKU</i>	<i>Description</i>
95TE-0100-01	95Te.ENG/ENG.120/60.DOM.NTSC
95TE-0105-01	95Te.ENG+MET.100/50.DOM.NTSC
95TE-0300-01	95Te.FRN/MET.120/60.DOM.NTSC
95TE-0400-01	95Te.SPN/MET.120/60.DOM.NTSC
95TE-0705-01	95Te.JAP/MET.100/50.DOM.NTSC
95TE-0800-01	95Te.POR/MET.120/60.DOM.NTSC
97TE-0100-01	97Te.ENG/ENG.120/60.DOM.NTSC
97TE-0105-01	97Te.ENG+MET.100/50.DOM.NTSC
97TE-0300-01	97Te.FRN/MET.120/60.DOM.NTSC
97TE-0400-01	97Te.SPN/MET.120/60.DOM.NTSC
97TE-0705-01	97Te.JAP/MET.100/50.DOM.NTSC
97TE-0800-01	97Te.POR/MET.120/60.DOM.NTSC
AK58-00372-0003	MTR-CNTRL W/FERRITE ASY: MFG.200-240
<i>Model SKU</i>	<i>Description</i>
95TE-0101-01	95Te.ENG+MET.230/50.CON.PAL
95TE-0102-01	95Te.ENG+MET.240/50.U.K.PAL
95TE-0103-01	95Te.ENG+MET.220/60.DOM.NTSC
95TE-0104-01	95Te.ENG+MET.240V+. AUS.PAL
95TE-0106-01	95Te.ENG+MET.200/50.DOM.NTSC
95TE-0109-01	95Te.ENG+MET.230/50.U.K.PAL
95TE-0201-01	95Te.GER/MET.230/50.CON.PAL
95TE-0301-01	95Te.FRN/MET.230/50.CON.PAL
95TE-0401-01	95Te.SPN/MET.230/50.CON.PAL
95TE-0501-01	95Te.ITL/MET.230/50.CON.PAL
95TE-0601-01	95Te.DUT/MET.230/50.CON.PAL
95TE-0801-01	95Te.POR/MET.230/50.CON.PAL

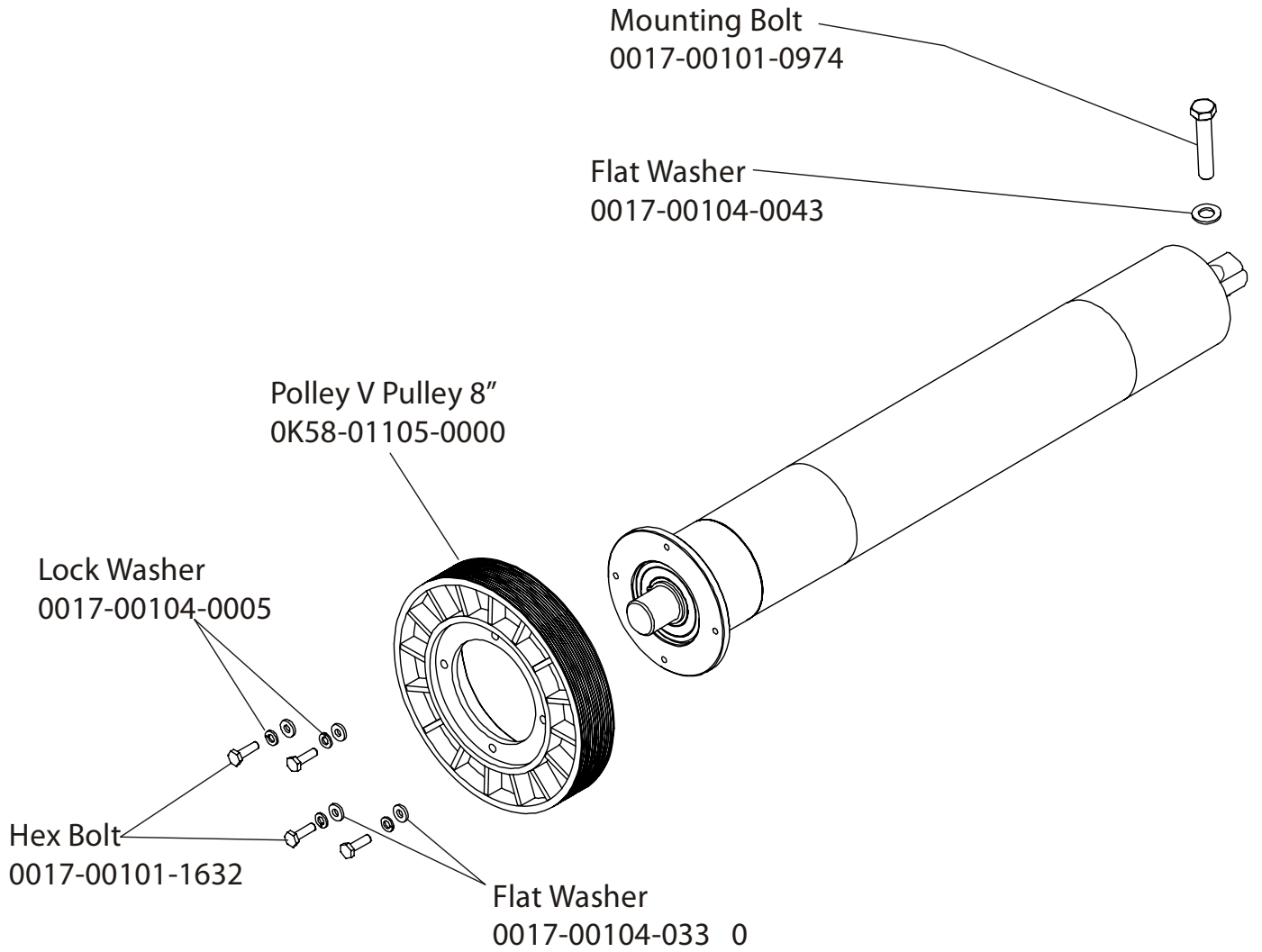


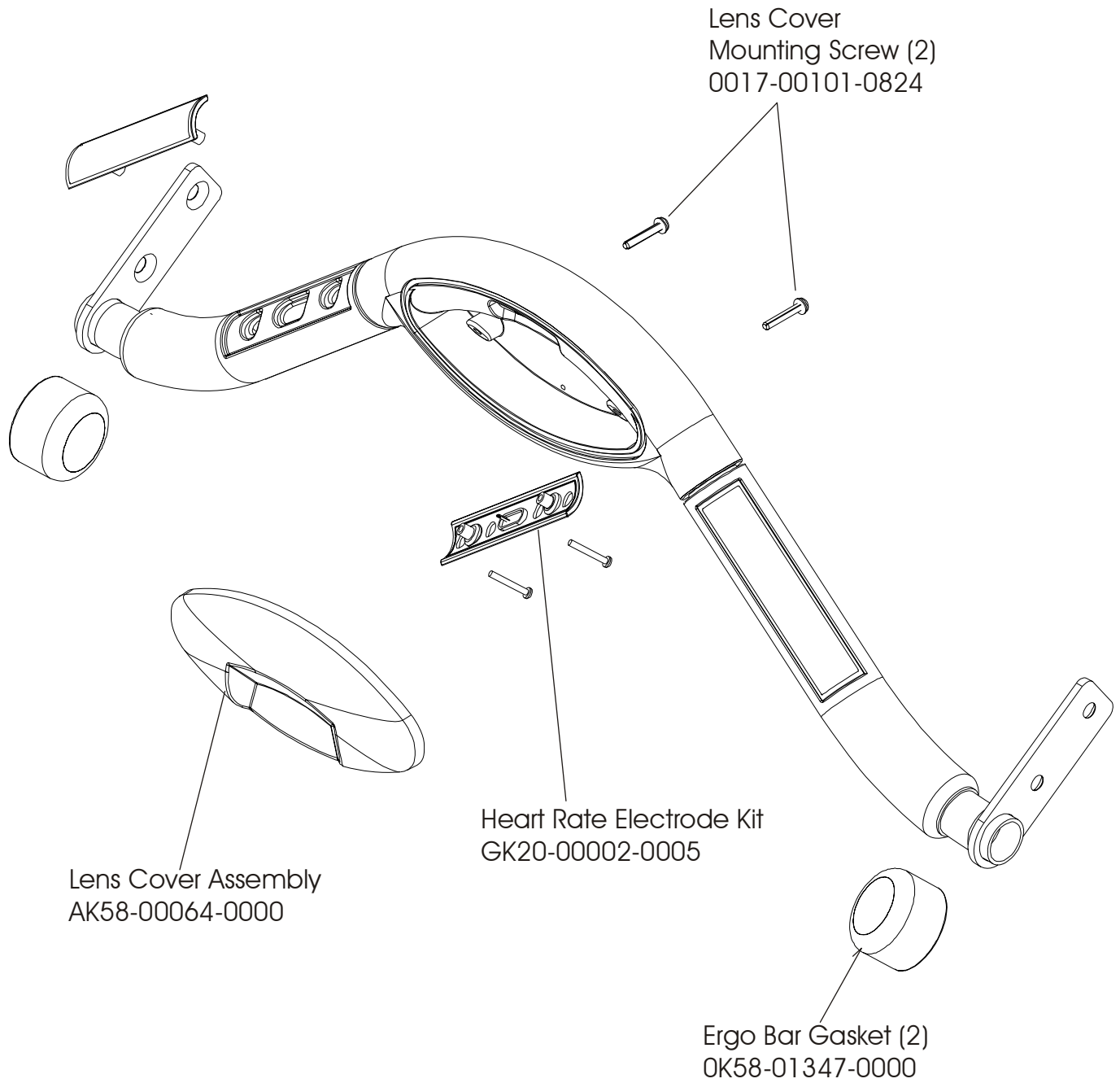


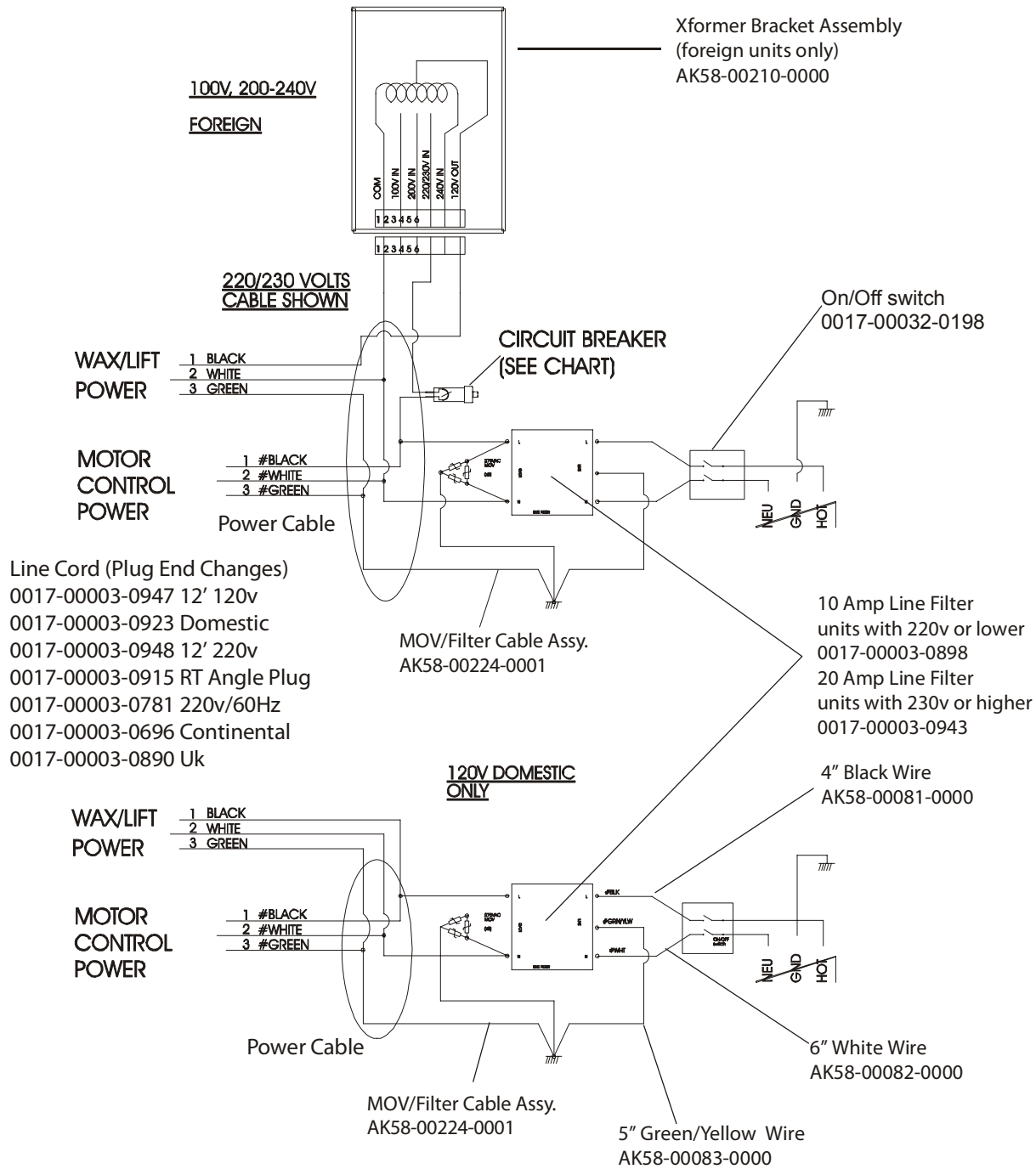












Voltage	Power Cable Part No.	Breaker AMP/Part No.
120v	AK58-00222-0000	NONE
100v	AK58-00302-0001	4 AMP/0017-00003-0950
200v	AK58-00302-0002	2 AMP/0017-00003-0626
220/230v	AK58-00302-0003	2 AMP/0017-00003-0626
240+	AK58-00302-0004	2 AMP/0017-00003-0626

